



RAFFA'S

**DISHWASHER
ACCESSORIES**

RAFFAS.CO.ZA



DISHWASHER DEVIDERS

STEPS TO DETERMINE THE CORRECT RACK & EXTENDER COMBINATION:

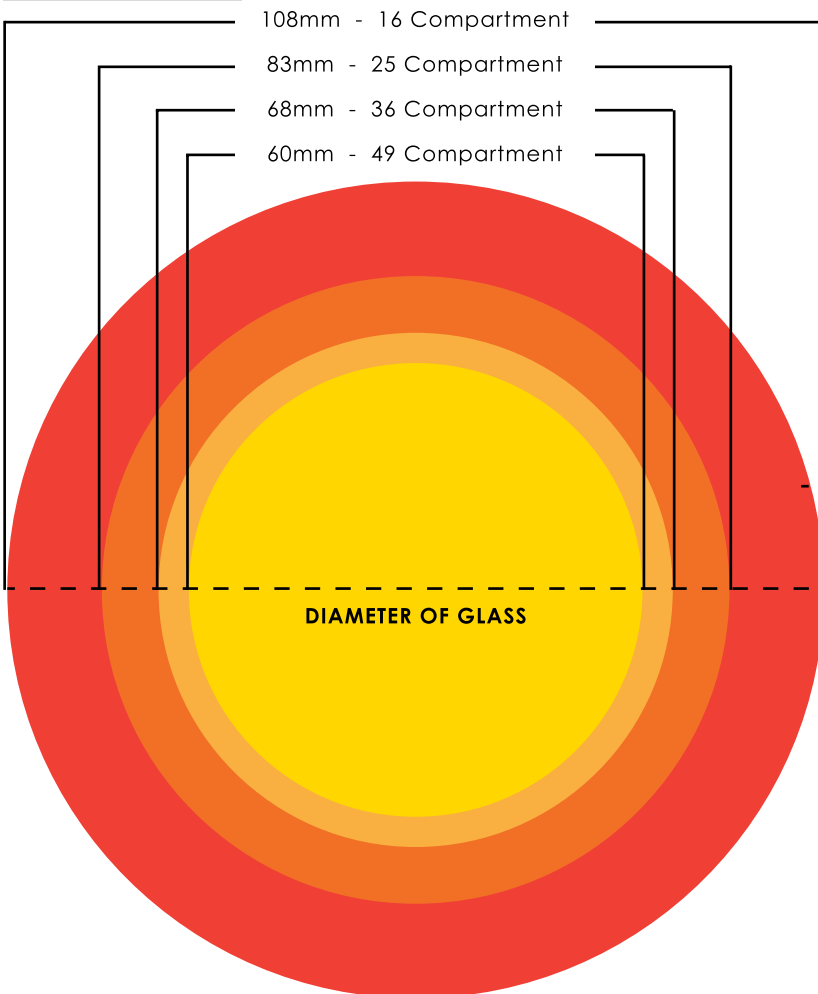
STEP 1

PLACE THE HEAD OR FOOT OF THE GLASS ON THE CIRCLE BELOW TO DETERMINE YOUR COMPARTMENT BASE SIZE.

STEP 2

PLACE THE GLASS ON THE HEIGHT CHART TO DETERMINE RACK COMBINATION.

STEP 1



PLACE YOUR GLASS ON THIS CHART TO DETERMINE THE HEIGHT & RACK COMBINATION

243mm

- Max height 243mm
- Base + 4 extenders

202mm

- Max height 202mm
- Base + 3 extenders

161mm

- Max height 161mm
- Base + 2 extenders

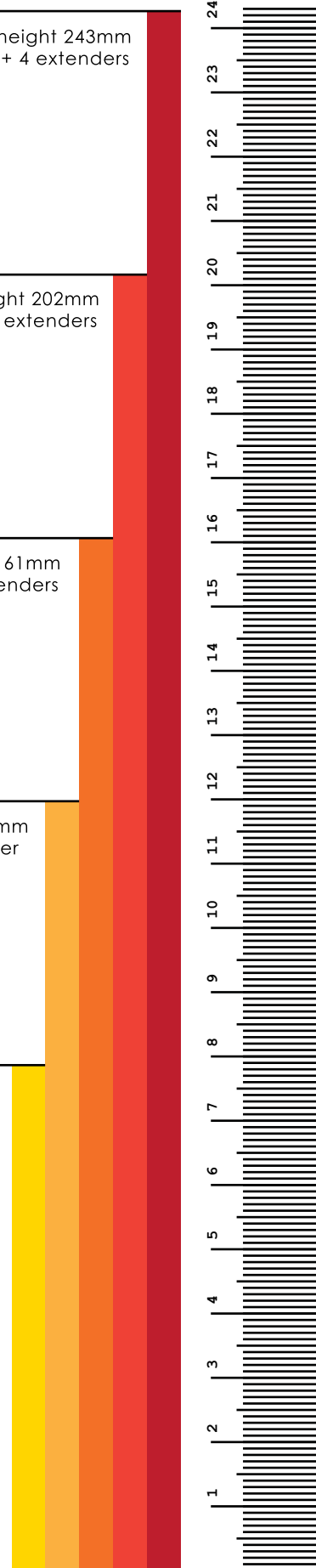
120mm

- Max height 120mm
- Base + 1 extender

79mm

- Max height 79mm
- Base only

STEP 2



KITCHEN

DISH RACKS

**VALUE
ITEM!**



9 COMPARTMENT

HF37234 : BASE
HF37432 : EXTENDER



16 COMPARTMENT

HF37241 : BASE
HF37289 : EXTENDER



25 COMPARTMENT

HF37258 : BASE
HF37449 : EXTENDER



36 COMPARTMENT

HF37265 : BASE
HF37296 : EXTENDER



49 COMPARTMENT

HF37272 : BASE
HF37302 : EXTENDER



KITCHEN

DISH RACKS

**VALUE
ITEM!**



DISH RACK

HF37340
CUP BASE



DISH RACK

HF37326
PLATE BASE



DISH RACK

HF37333
CUTLERY BASE



DISH RACK

HF37357
CUTLERY HOLDER



DISH RACK

HF37319
OPEN EXTENDER



NEW

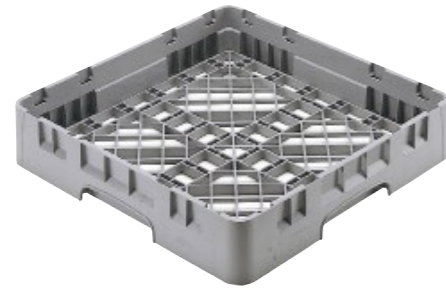
CLEANING AND WASHING

FLATWARE BOWL RACK



FEATURES

- Flatware/bowl rack
- Ideal for bulk or irregular shaped items



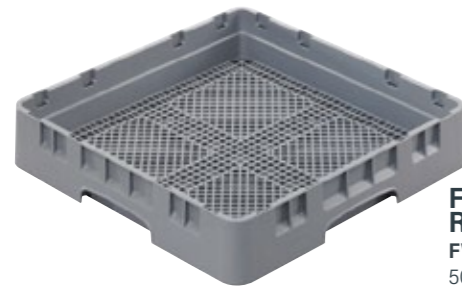
OPEN BASE RACK
OBR0100
 500 X 500 X 100MM
 GREY



OPEN EXTENDER
OEG0050
 500 X 500 X 50MM
 GREY

FEATURES

- Flatware/combination
- Mesh design base specifically for cutlery



FLATWARE RACK
FWR0100
 500 X 500 X 100MM
 GREY



OPEN EXTENDER
OEG0050
 500 X 500 X 50MM
 GREY

ALL PURPOSE PLATE RACK



FEATURES

- All purpose rack
- Moulded-in support stands to hold plates and trays

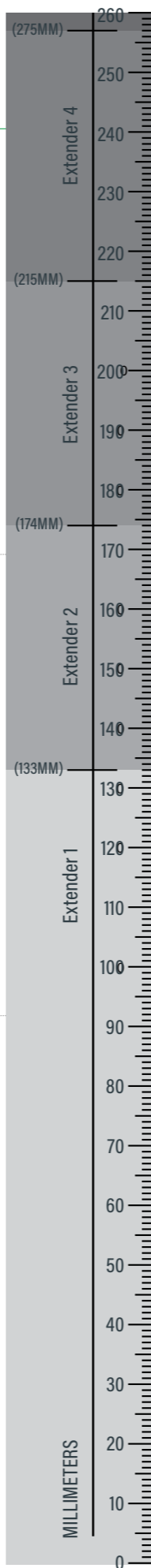


9 X 9 PEG RACK
PRG0010
 500 X 500 X 100MM
 GREY



OPEN EXTENDER
OEG0050
 500 X 500 X 50MM
 GREY

CAMBRO



NEW

CLEANING AND WASHING

GLASS RACKS

9 COMPARTMENT

FEATURES

- 9 Compartment glass rack
- Maximum diameter = 14.9CM
- Includes first extender



GLASS RACK
CGG0143
 500 X 500 X 143MM
 GREY



HEIGHT EXTENDER
CEG0050
 500 X 500 X 50MM
 GREY

16 COMPARTMENT

FEATURES

- 16 Compartment glass rack
- Maximum diameter = 11.1CM
- Includes first extender



GLASS RACK
CGG0144
 500 X 500 X 143MM
 GREY



HEIGHT EXTENDER
CEG0051
 500 X 500 X 50MM
 GREY

20 COMPARTMENT



FEATURES

- 20 Compartment 9 glass rack
- Maximum diameter = 9.84CM
- Includes first extender

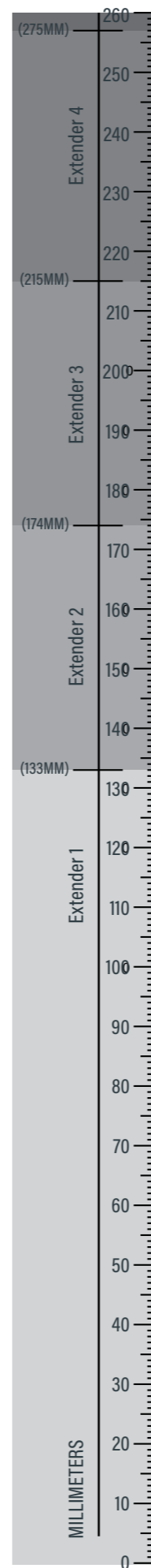


GLASS RACK
CGR0020
 500 X 500 X 143MM
 GREY



HEIGHT EXTENDER
CHE0020
 500 X 500 X 50MM
 GREY

CAMBRO



NEW

CLEANING AND WASHING

GLASS RACKS

25 COMPARTMENT

FEATURES

- 25 Compartment cup rack
- Maximum diameter = 8.7CM
- Includes first extender



GLASS RACK
CGG0145
 500 X 500 X 143MM
 GREY



HEIGHT EXTENDER
CEG0052
 500 X 500 X 50MM
 GREY

30 COMPARTMENT

FEATURES

- 30 Compartment glass rack
- Maximum diameter = 7.94CM
- Includes first extender



GLASS RACK
CGG0146
 500 X 500 X 143MM
 GREY



HEIGHT EXTENDER
CEG0053
 500 X 500 X 50MM
 GREY

36 COMPARTMENT

FEATURES

- 36 Compartment glass rack
- Maximum diameter = 7.3CM
- Includes first extender

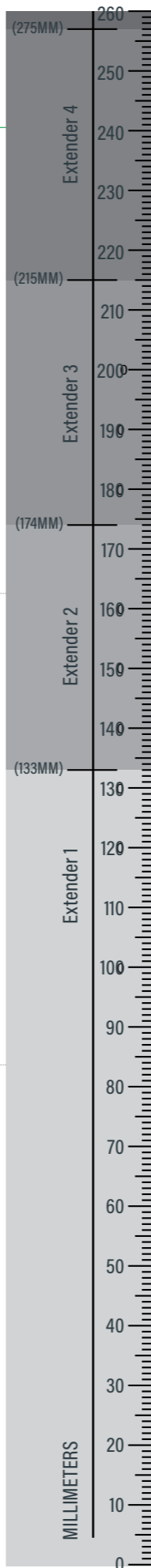


GLASS RACK
CGG0147
 500 X 500 X 143MM
 GREY



HEIGHT EXTENDER
CEG0054
 500 X 500 X 50MM
 GREY

CAMBRO



NEW

CLEANING AND WASHING

GLASS RACK

49 COMPARTMENT

FEATURES

- 49 Compartment glass rack
- Maximum diameter = 6.2CM
- Interior dimensions: 65 X 65 X 80MM



GLASS RACK
CGG0148
 500 X 500 X 143MM
 GREY



HEIGHT EXTENDER
CEG0055
 500 X 500 X 50MM
 GREY

CUTLERY HOLDERS



FLATWARE CYLINDER WHITE
FCW0143
 11.4 X 14CM



8 COMPARTMENT FLATWARE BASKET NO HANDLES
CFB0184
 18.4CM H



CAMBRO



DECK MOUNTED PRE-RINSE SPRAY

- Single Hole Base • 18" Flexible Inlet Hoses

SPECIFICATIONS

INLET	In-Line Check Valves - G 1/2 (BSPP) Male
OUTLET	1.15 GPM Spray Valve
HANDLE	Euro Lever
CARTRIDGE	Quarter-Turn Ceramic
PRESSURE RATING	20 to 125 psi
TEMP. RATING	4 to 60°C

ORDER CODE **TS/5PR-2S00**



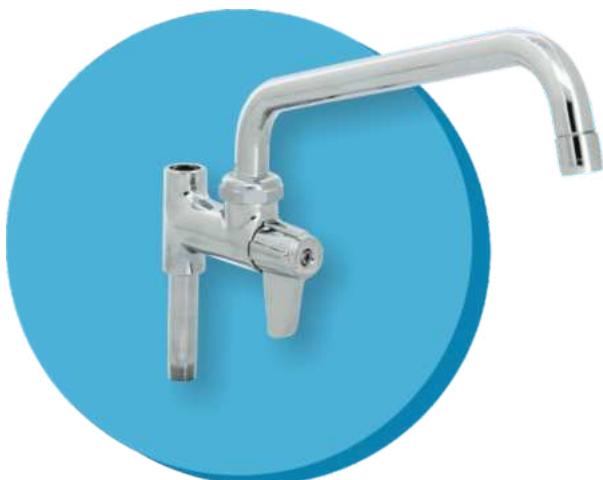
WALL MOUNTED PRE-RINSE SPRAY

- 8" Wall Mounted Base

SPECIFICATIONS

INLET	In-Line Check Valves - 1/2" NPT Female
OUTLET	1.15 GPM Spray Valve
HANDLE	Euro Lever
CARTRIDGE	Quarter-Turn Ceramic
PRESSURE RATING	20 to 125 psi
TEMP. RATING	4 to 60°C

ORDER CODE **TS/5PR-8W00**



PRE-RINSE ADD-ON-FAUCET

- Add-On for Pre-Rinse • 12" Swing Nozzle Equip

SPECIFICATIONS

INLET	3/8" NPT Male
OUTLET	4.52 GPM Laminar Flow Device
HANDLE	Euro Lever
CARTRIDGE	Ceramic
PRESSURE RATING	20 to 125 psi
TEMP. RATING	4 to 60°C

ORDER CODE **TS/5AFL12**

PRE-RINSE SPRAYS



DECK MOUNTED MINI PRE-RINSE SPRAY WITH 8" FAUCET

- Single Hole Base • 18" Flexible Inlet Hoses
- 8" Add-on Faucet • 628 mm Low-Profile Height

SPECIFICATIONS

INLET	In-Line Check Valves - G 1/2 (BSPP) Male
SPRAY OUTLET	1.15 GPM Spray Valve
NOZZLE	3.83 GPM 8" Add-On-Faucet Swing Nozzle
HANDLE	Euro Leve
CARTRIDGE	Quarter-Turn Ceramic
PRESSURE RATING	20 to 125 psi
TEMP. RATING	4 to 60°C

ORDER CODE TS/5MPH-2SLN-08



WALL MOUNTED MINI PRE-RINSE SPRAY WITH 8" FAUCET

- 8" Wall mounted base • 8" Add-on Faucet
- 628 mm Low-Profile Height

SPECIFICATIONS

INLET	In-Line Check Valves - 1/2" NPT Female
SPRAY OUTLET	1.15 GPM Spray Valve
NOZZLE	4.62 GPM 8" Add-On-Faucet Swing Nozzle
HANDLE	Euro Lever
CARTRIDGE	Quarter-Turn Ceramic
PRESSURE RATING	20 to 125 psi
TEMP. RATING	4 to 60°C

ORDER CODE TS/5MPH-8WLN-08

KITCHEN FAUCETS



WALL MOUNTED KITCHEN FAUCET

- 6" Wall Mount Faucet • 12" Swing Nozzle

SPECIFICATIONS

INLET	G 1/2 (BSPP) Male Offset Inlets
OUTLET	3.96 GPM Laminar Flow Device
HANDLE	Euro Lever
CARTRIDGE	Quarter-Turn Ceramic
PRESSURE RATING	20 to 125 psi
TEMP. RATING	4 to 60°C

ORDER CODE TS/EU-6WF12



SINGLE LEVER KITCHEN FAUCET

- Single Hole Base • 19" Flexible Inlet Hoses
- 9" Swivel Nozzle

SPECIFICATIONS

INLET	G 1/2" Female
OUTLET	Full Flow Aerator
HANDLE	Single Lever
CARTRIDGE	Single Lever Ceramic
PRESSURE RATING	20 to 125 psi
TEMP. RATING	4 to 60°C

ORDER CODE TS/EA-1DF09-LH



HIGH SPOUT BAR FAUCET SINGLE LEVER

- Single Hole Base • 18" Flexible Inlet Hoses
- 8" Nozzle Single Lever • High Rise

SPECIFICATIONS

Inlet	G 1/2" Female
Outlet	3.96 GPM Full Flow Aerator
Handle	Single Lever
Cartridge	Single Lever Ceramic
Pressure Rating	20 ~ 125 psi
Temp. Rating	4 ~ 60°C

ORDER CODE TS/EA-1DF08-300



DECK MOUNTED KITCHEN FAUCET

- Single Hole Base • 18" Flexible Inlet Hoses
- 8" Swing Nozzle

SPECIFICATIONS

Inlet	5/8" OD Copper Tubing or 1/2" NPSM Male
Outlet	4.65 GPM Laminar Flow Device
Handle	Euro Lever
Cartridge	Quarter-Turn Ceramic
Pressure Rating	20 ~ 125 psi
Temp. Rating	4 ~ 60°C

ORDER CODE TS/5F-2SLX08



DECK MOUNTED GOOSENECK FAUCET

- Single Hole Base • 18" Flexible Inlet Hoses
- 5.5" Swivel Gooseneck Nozzle

SPECIFICATIONS

Inlet	5/8" OD Copper Tubing or 1/2" NPSM Male
Outlet	2.2 GPM Aerator
Handle	Euro Lever
Cartridge	Quarter-Turn Ceramic
Pressure Rating	20 ~ 125 psi
Temp. Rating	4 ~ 60°C

ORDER CODE TS/5F-2SLX05A



WALL MOUNTED POT FILLER

- Single Control • 18" Double Joint Nozzle
- Insulated On-Off Control

SPECIFICATIONS

Inlet	5/8" OD Copper Tubing or 1/2" NPSM Male
Outlet	4.24 GPM Heat Resistant On-Off Volume Control
Handle	4-Arm
Cartridge	Compression
Pressure Rating	20 ~ 125 psi
Temp. Rating	4 ~ 60°C

ORDER CODE TS/B-0592



180 x 170mm

SPECIFICATIONS

INLET	1/2" BSP Drain inlet spigot
WASH MOUTH	114mm Ø
PRESSURE RATING	14.5 psi
CUT-OUT SIZE	157 x 144mm

ORDER CODE TS/EX-RINSER-1

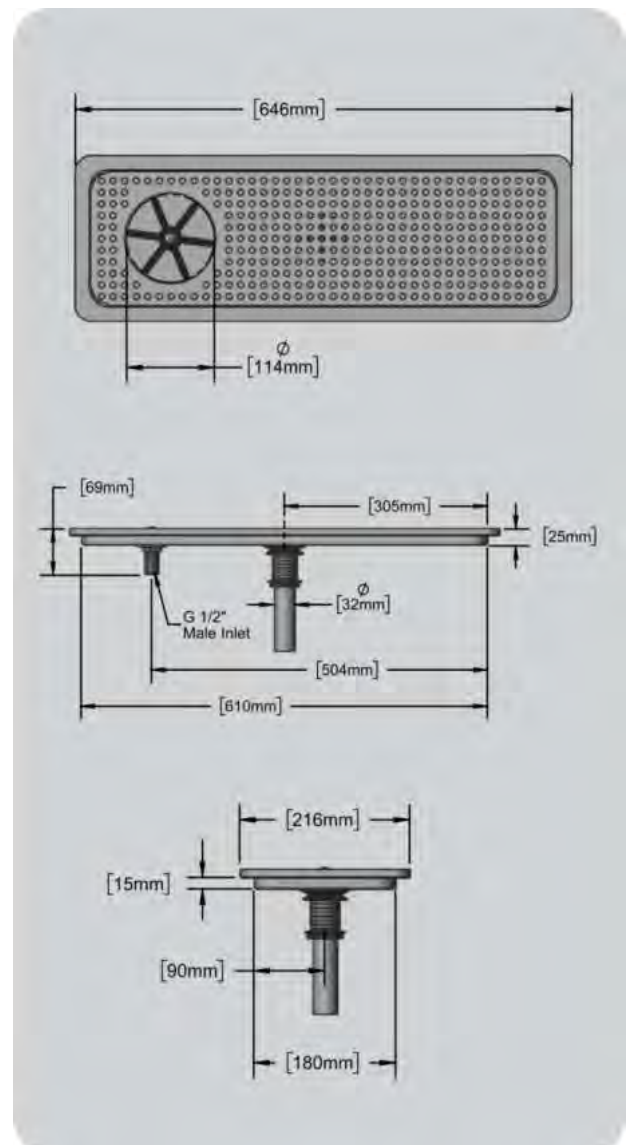
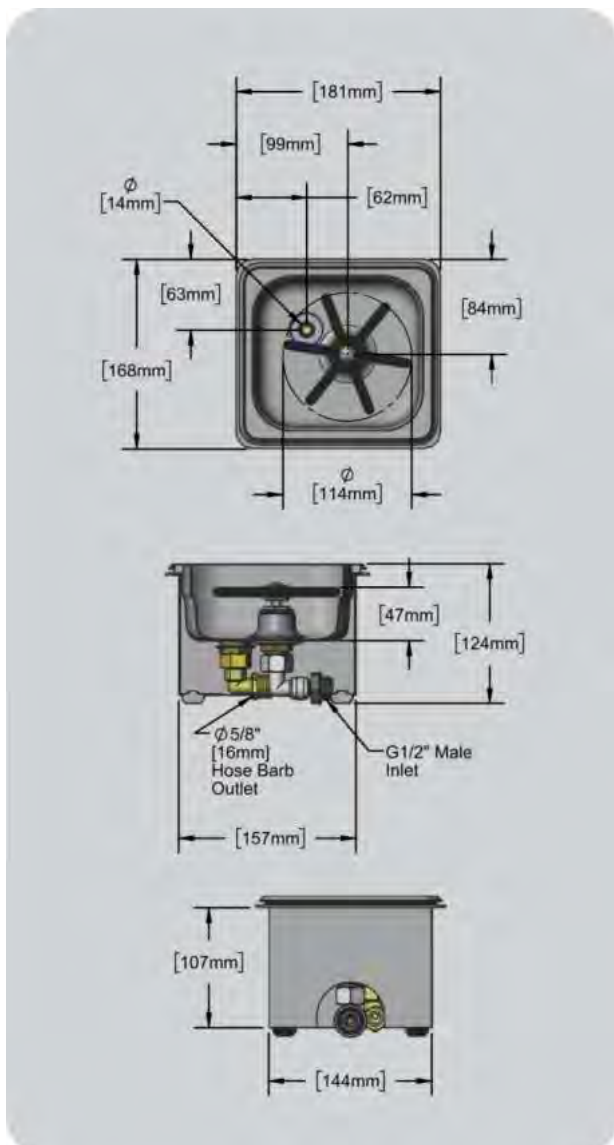


630 x 220mm

SPECIFICATIONS

INLET	1/2" BSP Drain inlet spigot
WASH MOUTH	114mm Ø
PRESSURE RATING	14.5 psi
CUT-OUT SIZE	180 x 610mm

ORDER CODE TS/EX-RINSER-3



DISHWASHER BASKETS

NOTE: All Baskets dimensions are 500 x 500 x 100mm deep

16 COMPARTMENT

ORDER CODE DWB-GR0016



20 COMPARTMENT

ORDER CODE DWB-GR0020



25 COMPARTMENT

ORDER CODE DWB-GR0025



36 COMPARTMENT

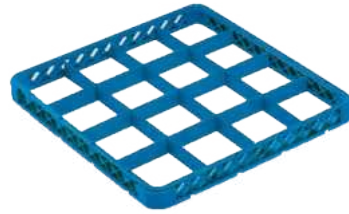
ORDER CODE DWB-GR0036



NOTE: All Extenders dimensions are 500 x 500 x 45mm deep

16 COMP EXTENDER

ORDER CODE DWB-GR0016E



OPEN EXTENDER

ORDER CODE DWB-EX0000



25 COMP EXTENDER

ORDER CODE DWB-GR0025E



36 COMP EXTENDER

ORDER CODE DWB-GR0036E



DISHWASHER BASKETS

CUTLERY BASKET

DIMENSIONS 500 x 500 x 100 mm deep
ORDER CODE DWB-CR0000



1 COMP CUTLERY BASKET

DIMENSIONS 107 x 107 x 139 mm deep
ORDER CODE DWB-CH0001



8 COMP CUTLERY BASKET

DIMENSIONS 427 x 208 x 151 mm deep
ORDER CODE DWB-CH0008



RACKS

64 PEG PLATE RACK

DIMENSIONS 500 x 500 x 100mm deep
ORDER CODE DWB-AP0064



RACK COVER

COMPATIBLE WITH ALL BASKETS
ORDER CODE DWB-RC0000



RACK DOLLY WITH HANDLE

DIMENSIONS 540 x 540 x 785 mm high
ORDER CODE DWB-RD0000





FEATURES

- Can be used for air drying cutlery and crockery
- Ideal for the transportation of cutlery and crockery
- Frame manufactured from 25mm stainless steel tubing
- L-shaped stainless steel runners
- Fitted with tray stops on each end
- Fitted with 4 castors, 2 lockable (100mm Ø)
- Baskets not included

SPECIFICATIONS

MODEL	SmartChef RWR-7
DIMENSIONS	560 x 510 x 1700mm high
SHELVES	7
RUNNER SPACING	200mm
BASKET COMPATIBILITY	500 x 500mm baskets
LOADING CAPACITY	200kg
WEIGHT	14kg

ORDER CODE

DBT0007

